

*There is more than 1 version of this model.  
Page down to identify the version you have.*

## DESCRIPTION

- Metal construction
- Integral 1/2" PEX
- Includes (2) 1/2" CPVC adapters
- Designed to be installed on finished decks up to 1-3/16" (30mm) on 10" centers
- Includes test plug

## OPERATION

- Can be installed with any Moen deck mounted Roman tub trim kit
- Rotate hot side handle counterclockwise to open (clockwise to close) and the cold side handle clockwise to open (counterclockwise to close)

## FLOW

- Designed to deliver 17 gpm at 45 psi. (60L/min)

## CARTRIDGE

- 1258 cartridge design with nonmetallic and stainless steel materials

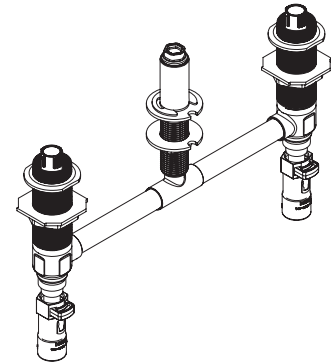
## STANDARDS

- Designed and manufactured to comply with the applicable requirements of: ASME A112.18.1/CSA B-125.1, ASTM F1807, CSA B137.5 for PEX, ASTM D2846, CSA B137.6 for CPVC and all applicable requirements referenced therein

## WARRANTY

- Lifetime limited warranty against leaks, drips and finish defects to the original homeowner
- 10 year limited warranty when used in a multifamily installation
- 5 year limited warranty when used in a commercial installation

Visit [www.moen.com/support](http://www.moen.com/support) for complete details and limitations

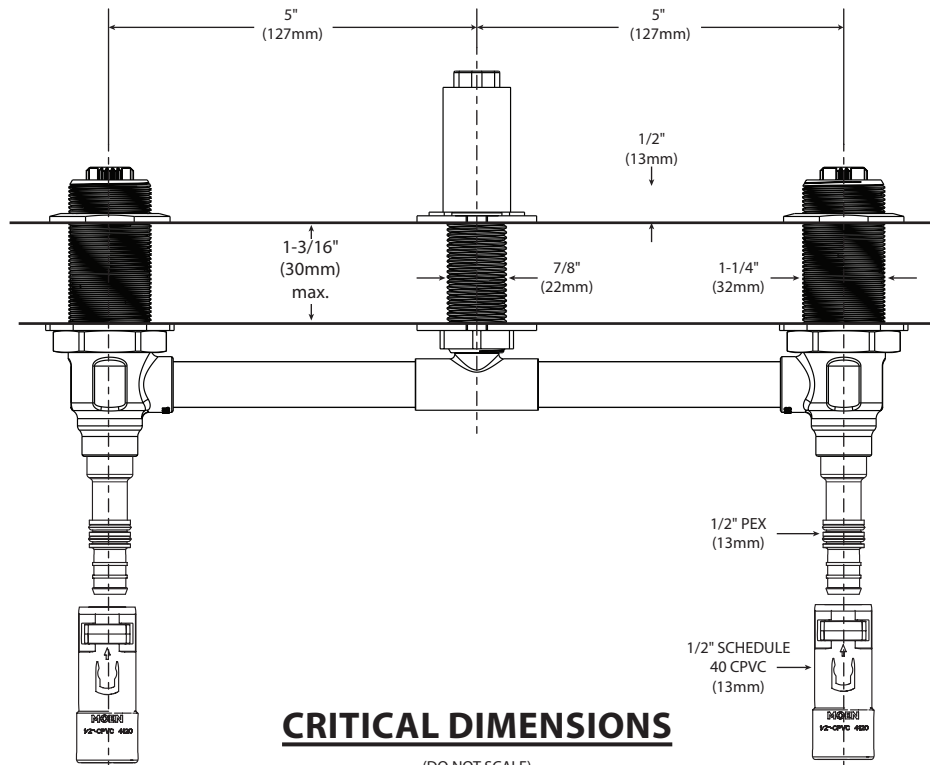


## Roman Tub High Flow Rough-In Valve 10" - Fixed Type

**Model: 4797**

104465 Thermostatic mixing valve  
sold separately is certified to  
ASSE 1070 and CSA B-125.3

**NOTE:** Plumbing codes require this product to be used with a device conforming to ASSE.



## DESCRIPTION

- Metal construction
- Integral 1/2" PEX
- Includes (2) 1/2" CPVC adapters
- Designed to be installed on decks up to 1-3/8" (35mm) on 10" centers
- Accommodates 1/2" (13mm) additional finish deck
- Includes test plug

## OPERATION

- Can be installed with any Moen deck mounted Roman tub trim kit
- Rotate hot side handle counterclockwise to open (clockwise to close) and the cold side handle clockwise to open (counterclockwise to close)

## FLOW

- Designed to deliver 17 gpm at 45 psi. (60L/min)

## CARTRIDGE

- 1248 cartridge design with nonmetallic and stainless steel materials

## STANDARDS

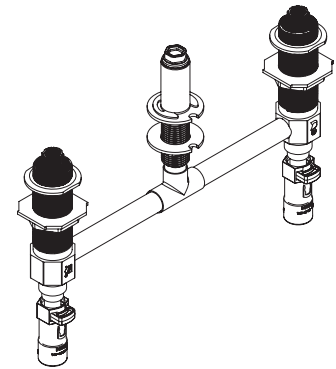
- Designed and manufactured to comply with the applicable requirements of: ASME A112.18.1/CSA B-125.1, ASTM F1807, CSA B137.5 for PEX, ASTM D2846, CSA B137.6 for CPVC and all applicable requirements referenced therein

## WARRANTY

- Lifetime limited warranty against leaks, drips and finish defects to the original homeowner
- 10 year limited warranty when used in a multifamily installation
- 5 year limited warranty when used in a commercial installation

Visit [www.moen.com/support](http://www.moen.com/support) for complete details and limitations

**NOTE:** Plumbing codes require this product to be used with a device conforming to ASSE.



## Roman Tub High Flow Rough-In Valve 10" - Fixed Type

**Model: 4797**

104465 Thermostatic mixing valve sold separately is certified to ASSE 1070 and CSA B-125.3

